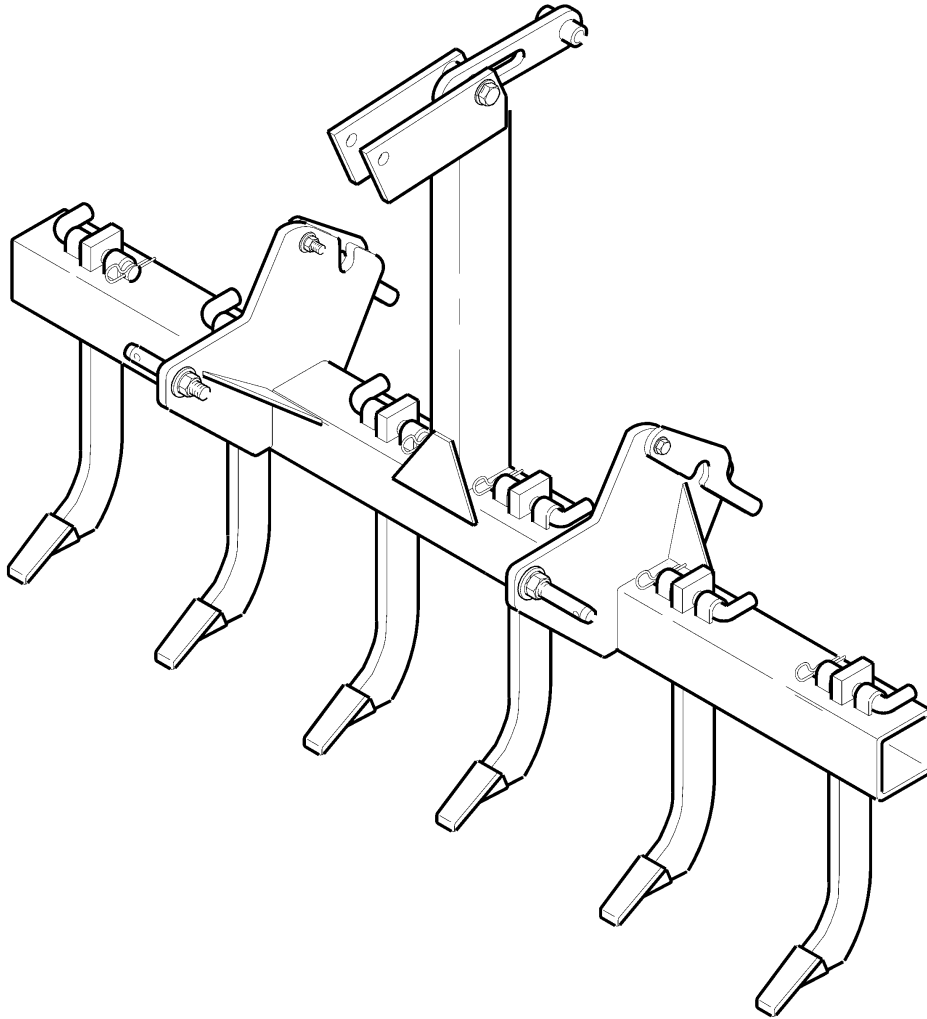


Scarifer

SF2566, SF2577 & SF2588



10401

302-188P
Parts Manual



Read the Operator's manual entirely. When you see this symbol, the subsequent instructions and warnings are serious - follow without exception. Your life and the lives of others depend on it!

© Copyright 2007 Printed 10/01/07

Cover photo may show optional equipment not supplied with standard unit.





Table of Contents

Section 1: Introduction.....	4
Using This Manual.....	4
Manual Replacement Information.....	4
Manual Revisions.....	4
Touch-up Paint.....	4
Hardware Legend.....	5
Replacement Hardware.....	5
Serial Numbers.....	5
Part Number Service Coding.....	5
Section 2: Complete Assembly.....	6
Scarifier.....	6
Section 3: Labels.....	8
Label Placement.....	8
Part Number Index.....	10

© Copyright 2007. All rights reserved.

Land Pride provides this publication “as is” without warranty of any kind, either expressed or implied. While every precaution has been taken in the preparation of this manual, Land Pride assumes no responsibility for errors or omissions. Neither is any liability assumed for damages resulting from the use of the information contained herein. Land Pride reserves the right to revise and improve its products as it sees fit. This publication describes the state of this product at the time of its publication, and may not reflect the product in the future. The illustrations in this manual are not intended for safe and proper assembly or disassembly of equipment. The illustrations are intended for ordering parts only.

Land Pride is registered trademark.

All other brands and product names are trademarks or registered trademarks of their respective holders.

Printed in the United States of America.



Alphabetized Table of Contents

L	
Label Placement.....	8
S	
Scarifier.....	6

General Information

Using This Manual

This manual is divided into sections. The first section contains General Information. The remaining sections divide the machine into segments (i.e. Frames, Drives, Hydraulics, etc.) which illustrate and list all parts. A Parts Number Index is located at the back of the book.

The Land Pride parts in this manual are specially designed for this machine and should be replaced with Land Pride parts only.

The information in this manual is current at time of printing. Some parts may change to assure top performance.

Right-hand and left-hand as used in this manual are determined by facing the direction the machine will travel while in use.

Below is an example of two facing pages from a parts manual. Familiarize yourself with the type of information contained on these pages.

Manual Replacement Information

Replacement manuals are available. Refer to our website at www.landpride.com, the Land Pride Support Center CD or e-mail us at lit@landpride.com for additional information. Our website continues to provide the most up-to-date manuals available.

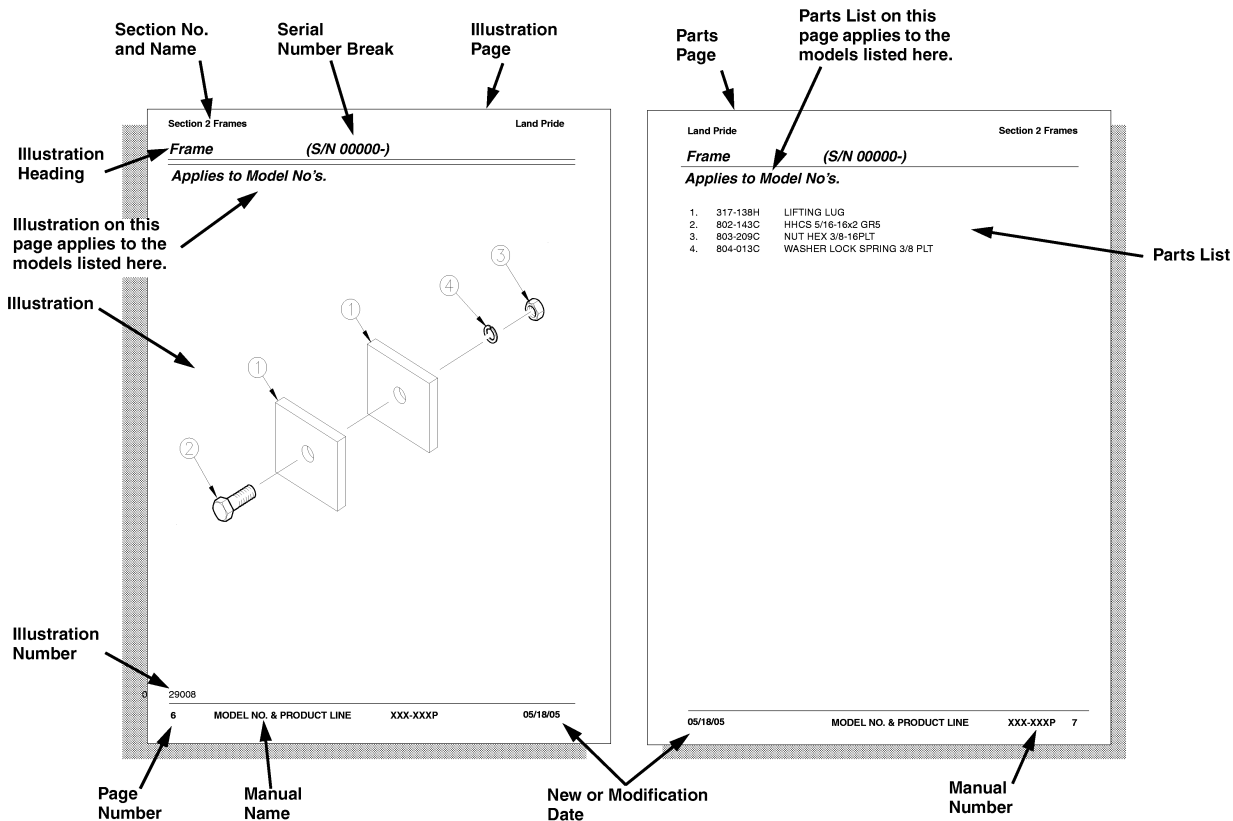
Touch-up Paint

Repaint parts where paint is worn or scratched to prevent rust. Aerosol cans and touch-up bottles with brush applicator are available through your local dealer. Land Pride color descriptions and part numbers are listed below. Also available are quart and gallon size paints. Add QT or GL to end of the Aerosol P/N.

Color	Product ¹	Aerosol	Touch-Up
Gloss Black	LP	821-032C	821-032CTU
Medium Gloss Black	UV	821-053C	821-053CTU
Beige	LP	821-011C	821-011CTU
Green	SLP	821-058C	821-058CTU
Orange	SLP	821-066C	821-066CTU
Red	SLP/UV	821-054C	821-054CTU
Blue	SLP/UV	821-067C	821-067CTU
Dark Green Sparkle	UV	821-055C	821-055CTU
Gondo Forest Green	UV	821-057C	821-057CTU
Brite Yellow ²	UV	821-056C	821-056CTU
Gondo Yellow ³	UV	821-059C	821-059CTU

Notes:

- 1 LP = All Land Pride Products except Utility Vehicles
SLP = Select Land Pride Products that are available in optional Green, Orange, Red, & Blue colors.
UV = Utility Vehicles
- 2 Used on Trekers and (Runabouts with S/N 407628-)
- 3 Used on Gondos and (Runabouts with S/N 407629+)



General Information

Hardware Legend

AR	As Required
BLADE	Blade Bolt
C	Cap Screw
CP	Cotter Pin
CPHSSS	Cup Point Hex Socket Set Screw
CPSHSS	Cup Point Square Head Set Screw
CPSQHSS	Cup Point Square Head Set Screw
CRFCHMS3	Cross Recess Flat Countersunk Head Machine Screw
CRPHMS	Cross Recess Pan Head Machine Screw
CRPHTF	Cross Recess Pan Head Thread Forming
CRRHMS	Cross Recess Round Head Machine Screw
CRTHMS	Cross Recess Truss Head Machine Screw
CSNB	Countersunk Square Neck Bolt
FHMS	Flat Head Machine Screw
FTC	Full Thread Cap Screw
H	Hex Nut
HCLN	Hex Center Lock Nut
HFLCS	Hex Flange Lock Cap Screw
HFS	Hex Flange Screw
HFSLN	Hex Flange Serrated Lock Nut
HFSS	Hex Flange Serrated Screw
HHCS	Hex Head Cap Screw or Metric Bolt
HSBHCS	Hex Socket Button Head Cap Screw
HSFCHCS	Hex Socket Flat Countersunk Head Cap Screw
HSHCS	Hex Socket Head Cap Screw
HSSS	Hex Socket Head Screw
HTLN	Hex Top Lock Nut
HWHCS	Hex Washer Head Cap Screw

HWHMS	Hex Washer Head Machine Screw
HXBHCS	Hex Socket Button Head Cap Screw
J	Hex Jam Nut
JIC	37 Degree Tapered Thread
L	Helical Spring Lock Washer
LUG	Lug Bolt
NFC	National Fine Cap Screw
NPSM	National Pipe Straight Mechanical
NPTF	National Pipe Taper Fuel
P	Wide Plain Washer
PHMS	Pan Head Machine Screw
PLOW	Plow Bolt
RHMS	Round Head Machine Screw
RHSNB	Round Head Square Neck Bolt
SCREW LEVELING	Leveling Screw
SCREW THUMB	Thumb Screw
SCREW WELD	Weld Screw
SFCHMS	Slotted Flat Countersunk Head Machine Screw
SFHMS	Slotted Fillister Head Machine Screw
SP	Special
SP SCREW	Special Screw
SQHSS	Square Head Set Screw
SRHMS	Slotted Round Head Machine Screw
SSS	Socket Set Screw
STCS	Self Tapping Cap Screw
STHMS	Slotted Truss Head Machine Screw
WHEEL	Wheel Studs and Hub Long Bolts
WING	Wing Bolt

Replacement Hardware

The **Hardware Legend** above lists hardware abbreviations used in the parts list. All bolts and nuts are Grade 5 unless otherwise noted. The use of improper grades of hardware can result in personal injury, damage to equipment, or loss of property.

Colored Replacement Parts

Land Pride offers replacement parts in factory standard colors and also on select models in Green, Orange, Red and Blue. Because of the variety of colors available, special attention must be given to the part number to prevent ordering the wrong replacement part.

A suffix number corresponding to one of the colors below must be added at the end of Land Pride's part number when ordering a replacement part with that color.

81 Green 83 Red
82 Orange 84 Blue

For example, if you are ordering a replacement part with part number 555-555C and the part you need is red, then add the suffix 83 to the end of the number to make the part number read 555-555C83. Parts ordered without a suffix number will be supplied in factory standard colors.

Black Replacement Parts

Some parts are factory standard black and some must be special ordered black. If your part is special ordered black, a second part number with the additional suffix number 85 on the end will be available. In this situation you must order that part with the suffix number for it to be black. Parts that are factory standard black will not have the suffix number.

Part Number Service Coding

Within the parts list some part numbers are coded for revisions and interchangeability. See notations in revision column.

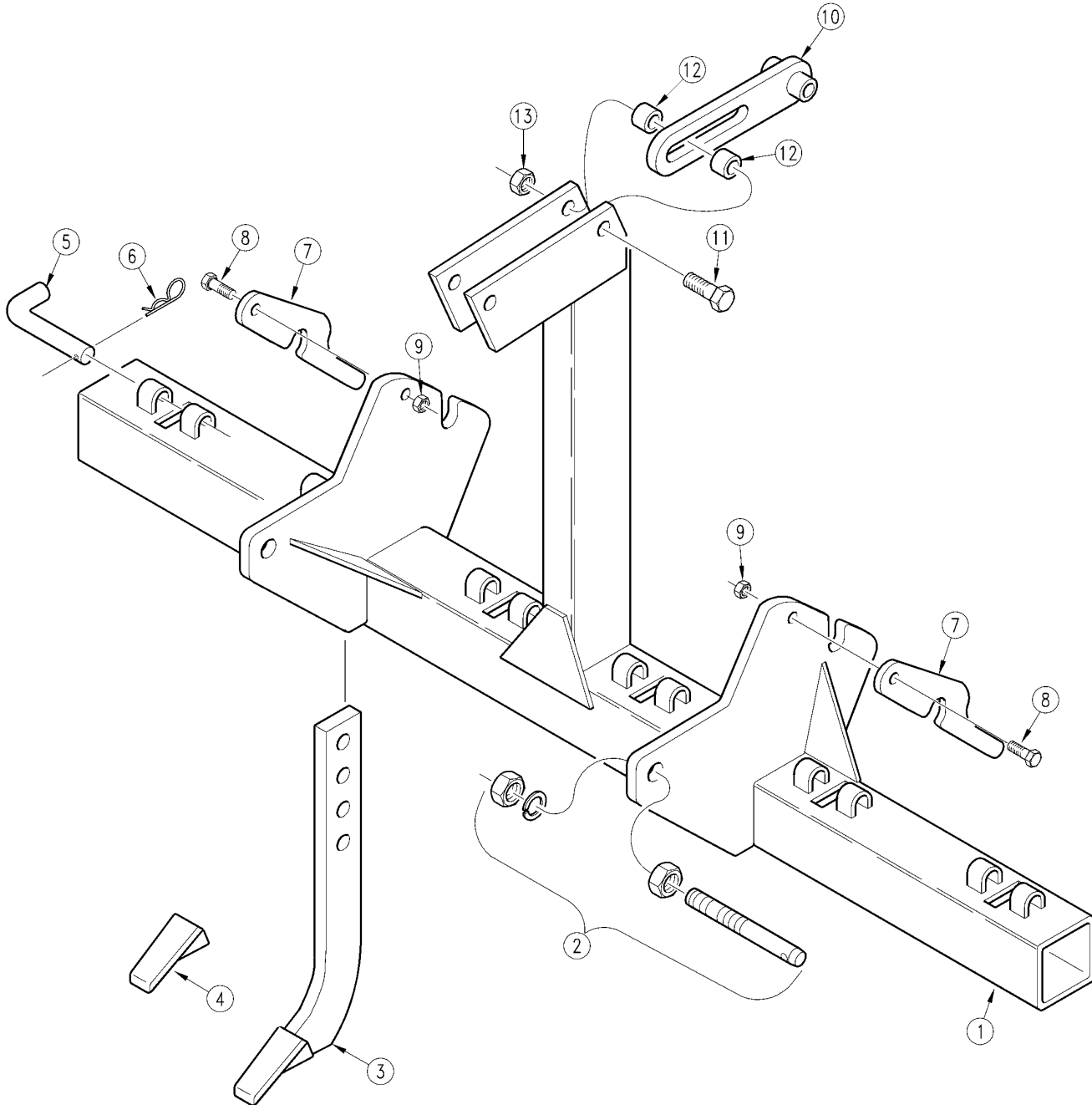
Serial Numbers

Always use the serial and model number when ordering parts. Refer to the Operator's Manual for serial number plate location.

- | | |
|----------------------|--|
| (S/N 20001+) | Includes serial numbers 20001 and above (to the latest number) |
| (S/N 10001 to 20000) | Includes serial numbers between and including 10001 and 20000 |
| (S/N 10000-) | Includes serial numbers 10000 and below (to the earliest number) |

Scarifier

Applies to SF2566, SF2577, SF2588



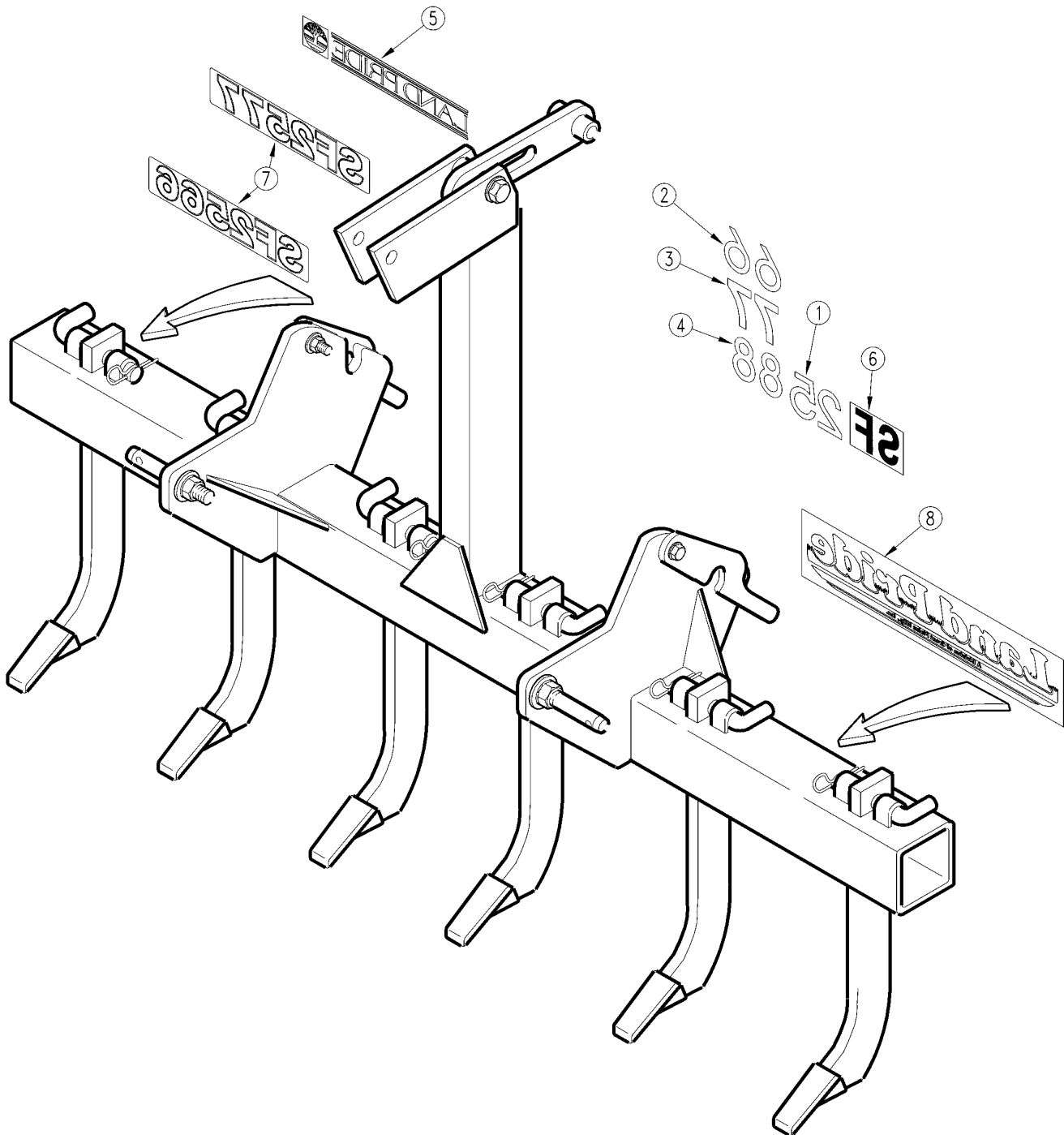
10403

Scarifier**Applies to SF2566, SF2577, SF2588**

Ref	Part No.	Part Description	Comments	Revision
	dwg10403	Drawing Image Number		
	302-127A	SCARIFIER ATTACHMENT ASSEMBLY	Includes one of items 1; 10; 11 and 13 two of items 2; 7; 8; 9 and 12 and six of items 3; 5 and 6	
	302-146A	SF2577 ATTACHMENT ASSEMBLY	Includes one of items 1; 10; 11 and 13 two of items 2; 7; 8; 9 and 12 and seven of items 3; 5 and 6	
	302-147A	SF2588 ATTACHMENT ASSEMBLY	Includes one of items 1; 10; 11 and 13 two of items 2; 7; 8; 9 and 12 and eight of items 3; 5 and 6	
1.	302-125H	SF2566 WELDMENT		
1.	302-125H82	SF2566 WELDMENT ORANGE		
1.	302-141H	SF2577 WELDMENT		
1.	302-141H82	SF2577 WELDMENT ORANGE		
1.	302-142H	SF2588 WELDMENT		
2.	805-111C	PIN DRAW 7/8 X 5		
3.	820-152C	SCARIFIER SHANK - 18 W/TIP	(S/N 162205+)	Rev. 2 not compat. w/Rev. 1.
3.	820-044C	SCARIFIER SHANK - 18 W/TIP	(S/N 162204-)	Rev. 1
4.	820-153C	SHANK TIP DIMPLE-ON WIDE FLARE	(S/N 162205+)	Rev. 2 not compat. w/Rev. 1.
4.	820-050C	SHANK TIP DIMPLE-ON NARROW	(S/N 162204-)	Rev. 1
5.	805-197C	PIN BENT SHANK LOCK 5/8 OD		Rev. 2
5.	303-038D	RPBY 805-197C		Rev 1; Use up stock
6.	805-032C	PIN HAIR COTTER .148 WIRE		
7.	302-089D	LOCK HANDLE		
8.	802-128C	HHCS 1/2-13X2 GR5		
9.	803-019C	NUT LOCK 1/2-13 PLT		
10.	302-126H	UPPER LINK WELDMENT		
11.	802-066C	HHCS 3/4-10X3 1/2 GR5		
12.	302-091D	SLIDING PIVOT TUBE		
13.	803-026C	NUT LOCK 3/4-10 PLT		

Label Placement

Applies to SF2566, SF2577, SF2588



17565

Label Placement**Applies to SF2566, SF2577, SF2588**

Ref	Part No.	Part Description	Comments	Revision
	dwg17565	Drawing Image Number		
1.	818-085C	DECAL 25 SERIES LP - BLACK	(S/N 252676-)	
2.	818-091C	DECAL 66 LP - BLACK	(S/N 252676-)	
3.	818-234C	DECAL 77 LP-BLACK	(S/N 252676-)	
4.	818-235C	DECAL 88 LP-BLACK	(S/N 252676-)	
5.	818-162C	OBSOLETE RPBW 818-895C	(S/N _____<-> 252676)	Rev. 2
5.	818-082C	RPBW 818-162C	(S/N _____)	Rev 1; Use up stock
6.	818-746C	DECAL SF LAND PRIDE BLACK	(S/N 252676-)	
7.	838-004C	DECAL SF2566-BROWN	(S/N 252677+) Beige Unit	
7.	848-176C	848-176C	Orange Unit	
7.	838-005C	DECAL SF2577-BROWN	(S/N 252677+) Beige Unit	
7.	848-177C	DECAL SF2577-GOLD	Orange Unit	
8.	818-901C	DECAL LANDPRIDE 16" - BROWN	(S/N 252677+) Beige Unit	
8.	838-965C	DECAL LANDPRIDE 16" BROWN/GOLD	Orange Unit	



Part Number Index

The Part Number Index is a numeric index of all part numbers included in this manual. The index shows what page(s) the part is used on.

<u>Part Number</u>	<u>Page</u>
302-089D	7
302-091D	7
302-125H	7
302-125H82	7
302-126H	7
302-127A	7
302-141H	7
302-141H82	7
302-142H	7
302-146A	7
302-147A	7
303-038D	7
802-066C	7
802-128C	7
803-019C	7
803-026C	7
805-032C	7
805-111C	7
805-197C	7
818-082C	9
818-085C	9
818-091C	9
818-162C	9
818-234C	9
818-235C	9
818-746C	9
818-901C	9
820-044C	7
820-050C	7
820-152C	7
820-153C	7
838-004C	9
838-005C	9
838-965C	9
848-176C	9
848-177C	9
dwg10403	7
dwg17565	9

This Page Intentionally Left Blank



Great Plains Manufacturing, Inc.

Corporate Office: P.O. Box 5060
Salina, Kansas 67402-5060 USA

www.landpride.com
